

# PRODUCT OVERVIEW

# BTS - 200



## Advanced System Automation

One-touch antenna location and synchronization  
Dual axis motors realign for link acquisition

## System Agnostic

Enclosed and open-air options  
Fully customizable setup allows for near universal list of antenna/radio configurations

## Seamless Installation

Two cables provide both motor control, and data connectivity

## Rapid WWAN Provisioning

BATS uses an industry-first wireless search algorithm that scans the horizon for a compatible signal. Once targeting has occurred, the system scans the wireless lobes to locate the center point, providing quick network links at the highest throughput possible.

## Dynamic System Tracking & Stabilization

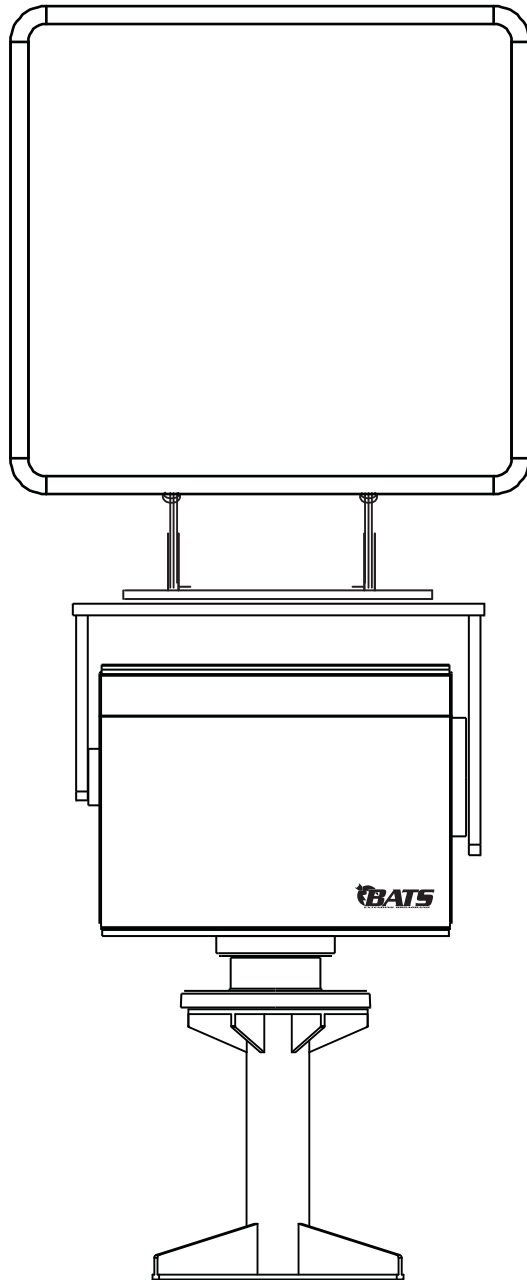
With GPS Lobe Optimization, the system routinely checks connection health to detect and immediately counteract any drops or weaknesses in the wireless signal caused by interference, environmental changes, or sudden platform movement. As platform movement occurs, as seen during a mobile deployment, the system will recalibrate and adjust its position in real-time to compensate for directional changes of the base platform in both axis, azimuth and elevation.

## Enhanced Control Unit

Ruggedized and rack mount configurations  
SNMP Monitoring & Dynamic Service Level Validation  
WWAN link management with available Link Manager  
HTTPS/SSH/Telnet Management

# PRODUCT SPECIFICATIONS

# BTS - 200



## Specifications

### PU 200 - Open-Air Positioning Unit - (200 lb. Payload)

PHYSICAL DIMENSIONS	17.47" (H) x 17.8" (W) x 12.28" (D)
WEIGHT	122 lb.
ENVIRONMENTAL	Standardized to IP-67
OPERATING TEMP*	-30°C to 55°C
PAN/TILT-AXIS RANGE*	±217.5° or 360° (slip ring) / 180° (±90°)
PAN/TILT-AXIS SPEED	0.005° - 8°/sec (PAN) 0.005° - 3.5°/sec (TILT)
LOAD TORQUE	200 lb-ft (271 Nm)
STATIC LOAD MAX**	504 lb. (229 kg)
STATIC TORQUE MAX**	600 lb-ft (814 Nm)

### RMCU 200 - Rack Mount Control Unit - for PU 200

PHYSICAL DIMENSIONS	3.5" (H) x 19" (W) x 13" (D)
WEIGHT	16 lb.
OPERATING TEMP*	0°C - 65°C (-40°C Option)
OPERATING VOLTAGE	AC: 90 - 265 VAC; 47 - 63 Hz DC: 10 - 36 VDC w/Auto
NETWORK PORTS	(10/100/1000 Mbps)

### Components & Accessories

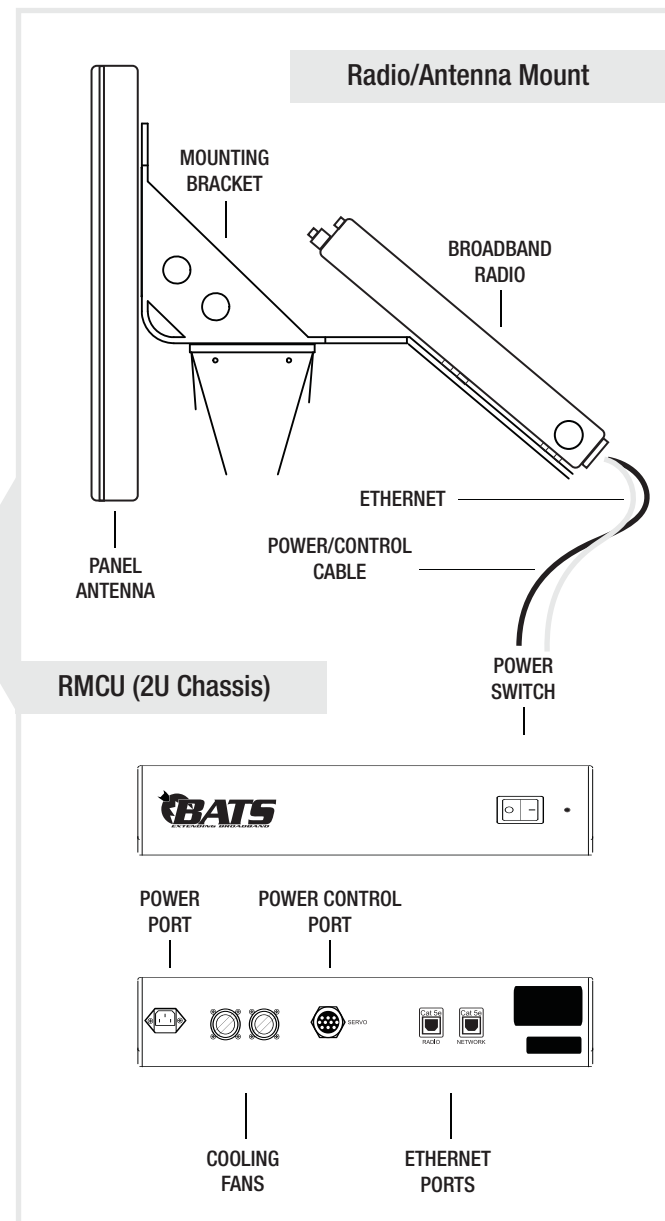
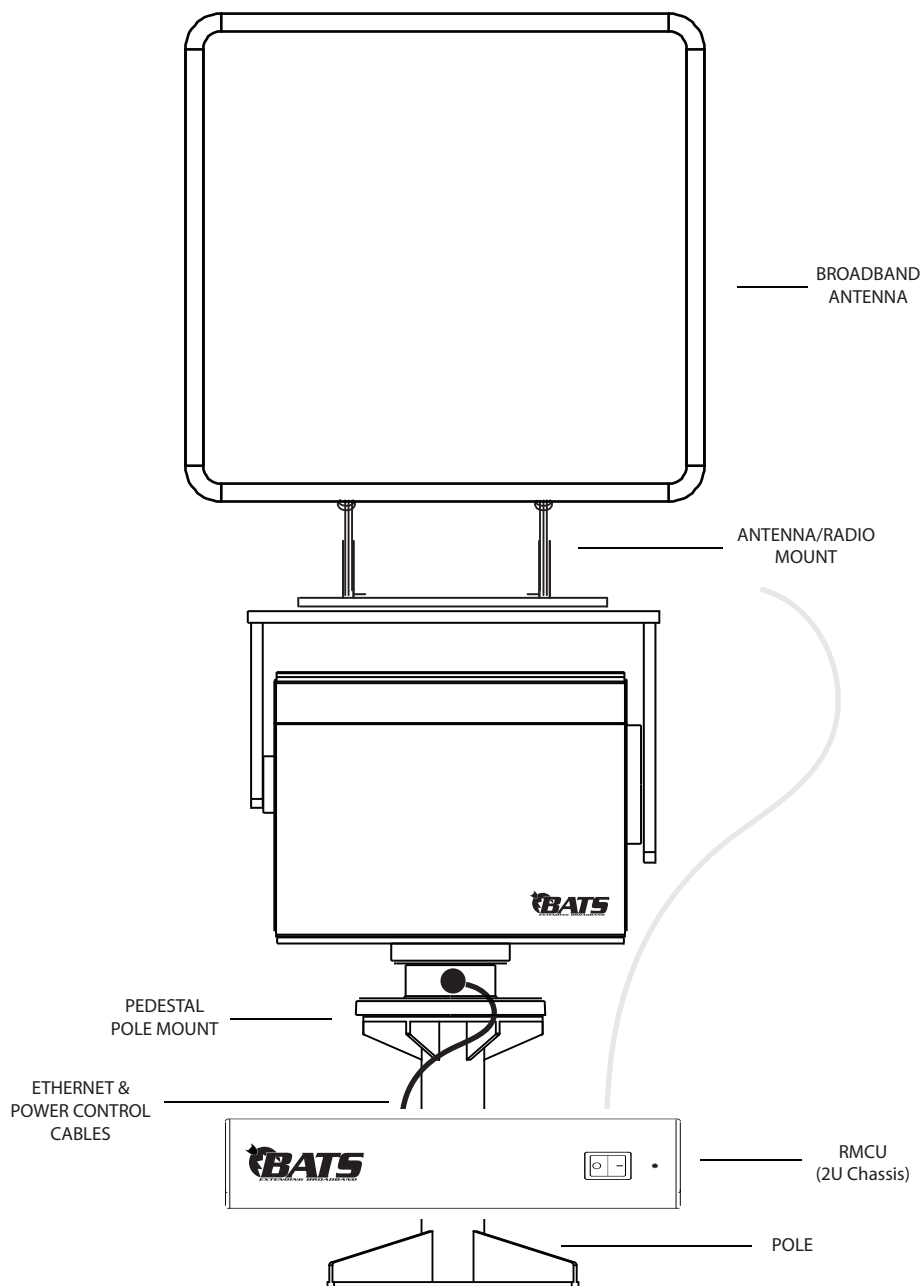
GPS TARGETING STABILIZER	GPS-Based Signal Targeting & Stabilization
FLEET CONTROLLER	Control Appliance for Multiple Control Units
POSITIONING UNIT CABLING	PU Power Cables, Available up to 330 ft.
MIL-SPEC CABLING	Insulated Cat 5e Cabling, Available up to 330 ft.
MOUNTING HARDWARE	Universal Pole Mount Kits, Radio Mount Kits

\*Additional Components Required

\*\*Current Figures Estimated

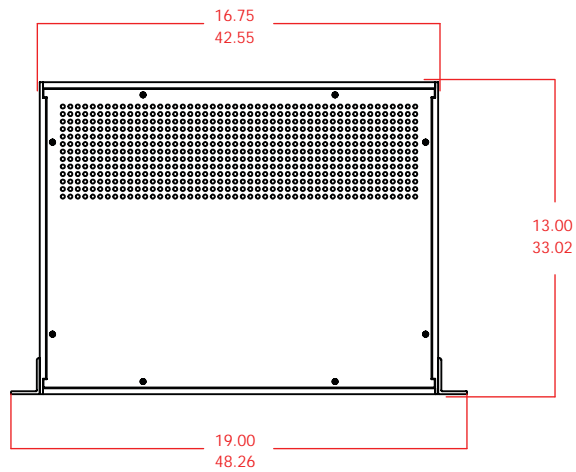
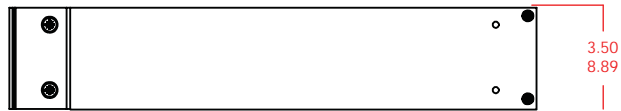
# SYSTEM LAYOUT

# BTS - 200



# PRODUCT OVERVIEW

Rackmount Control Unit (2U)



# CONTROL UNITS

Hardened Control Unit

