

# PRODUCT OVERVIEW

# BTS - 50



## Advanced System Automation

One-touch antenna location and synchronization  
Dual axis motors realign for link acquisition

## System Agnostic

Enclosed and open-air options  
Fully customizable setup allows for near universal list of antenna/radio configurations

## Seamless Installation

Two cables provide both motor control, and data connectivity

## Rapid WWAN Provisioning

BATS uses an industry-first wireless search algorithm that scans the horizon for a compatible signal. Once targeting has occurred, the system scans the wireless lobes to locate the center point, providing quick network links at the highest throughput possible.

## Dynamic System Tracking & Stabilization

With GPS Lobe Optimization, the system routinely checks connection health to detect and immediately counteract any drops or weaknesses in the wireless signal caused by interference, environmental changes, or sudden platform movement. As platform movement occurs, as seen during a mobile deployment, the system will recalibrate and adjust its position in real-time to compensate for directional changes of the base platform in both axis, azimuth and elevation.

## Enhanced Control Unit

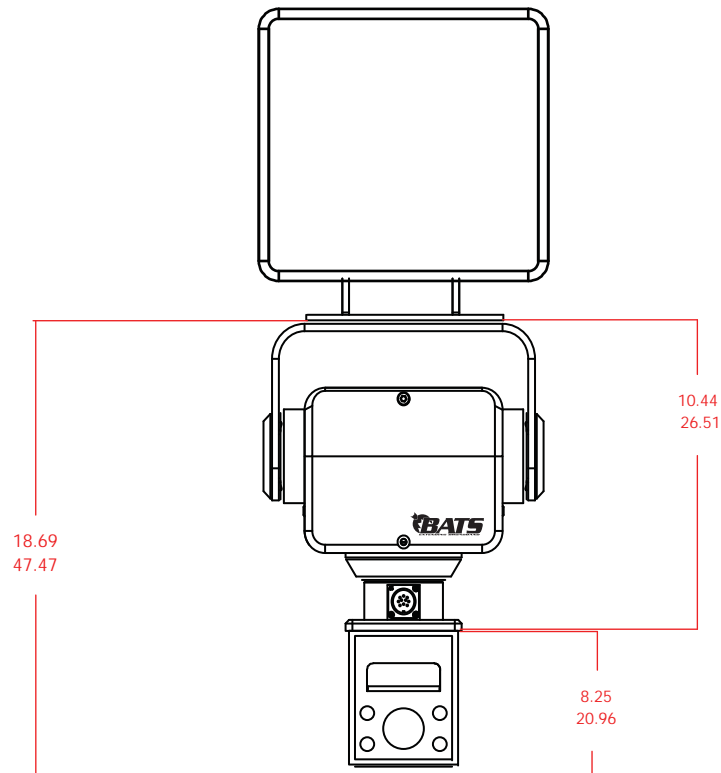
Ruggedized and rack mount configurations  
SNMP Monitoring & Dynamic Service Level Validation  
WWAN link management with available Link Manager  
HTTPS/SSH/Telnet Management



Toll Free +1-888-955-8228  
Sales +1-317-500-4507  
Support +1-317-500-4506  
Email info@batswireless.com

# PRODUCT SPECIFICATIONS

# BTS - 50



## Specifications

### PU 50- Open-Air Positioning Unit (50 lb. Payload)

PHYSICAL DIMENSIONS	10.44 inches (H) X 10.26 inches (W) X 7.88 inches (D)
WEIGHT	22 lbs
ENVIRONMENTAL	Standardized to IP-67
OPERATING TEMPERATURE*	-15° or -30°C (w/heater) to 55°C
PAN/TILT-AXIS RANGE	±217.5° or 360° (slip ring) / 180° (±90°)
PAN/TILT-AXIS SPEED	0.005° - 50°/sec (PAN) 0.005° - 10°/sec (TILT)
LOAD CAPACITY	50 lb-ft (max)

### RMCU 50 - Rack Mount Control Unit - PU 50

PHYSICAL DIMENSIONS	1.75 inches (H) X 19 inches (W) X 13 inches (D)
WEIGHT	10 lbs
OPERATING TEMPERATURE*	0°C - 55° C (-40°C Option)
OPERATING VOLTAGE	AC: 90 - 265 VAC; 47-63 Hz DC: 10 - 36 VDC w/ Auto
NETWORK PORTS	ETHERNET (10/100/1000 Mbps)

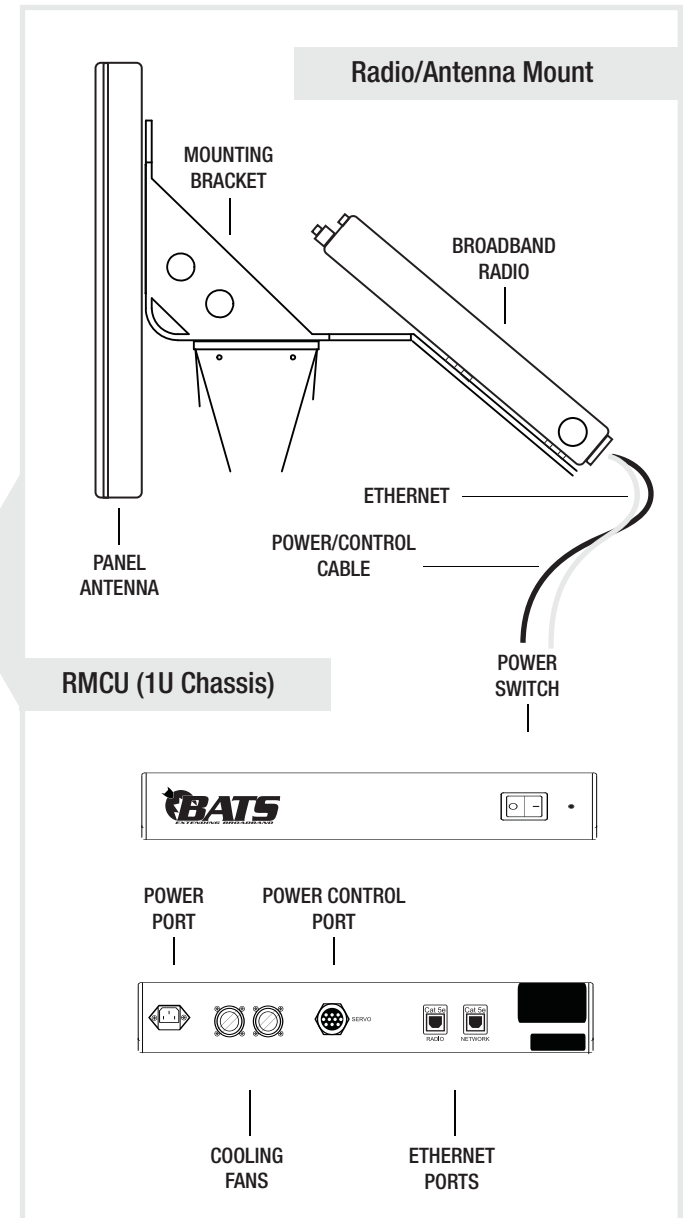
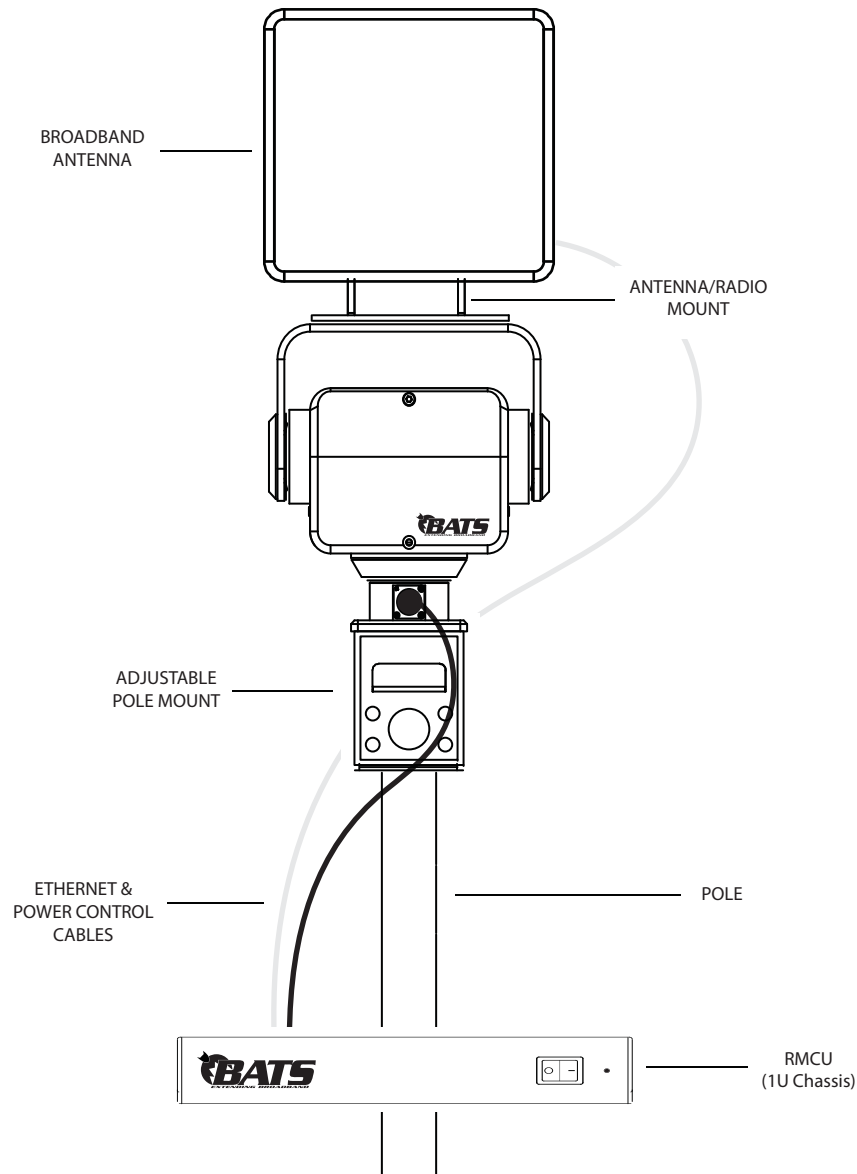
### Components & Accessories

GPS Targeting Stabilizer	GPS-Based Signal Targeting & Stabilization
Link Manager	Control Appliance for Active Link Failover
Positioning Unit Cabling	PU Power Cables, Available up to 330 ft.
Mil-Spec Ethernet Cabling	Insulated Cat 5e Cabling, Available up to 330 ft.
Mounting Brackets / Hardware	Universal Pole Mount Kits, Radio Mount Kits

*\*Additional Components Required*

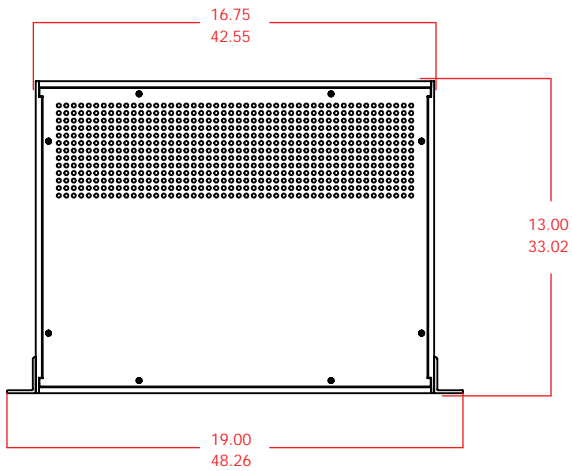
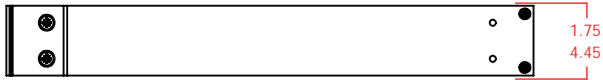
# SYSTEM LAYOUT

# BTS - 50



# PRODUCT OVERVIEW

## Rackmount Control Unit



# CONTROL UNITS

## Hardened Control Unit

