

PRODUCT OVERVIEW

BTS - 90



Advanced System Automation

One-touch antenna location and synchronization
Dual axis motors realign for link acquisition

System Agnostic

Enclosed and open-air options
Fully customizable setup allows for near universal list of antenna/radio configurations

Seamless Installation

Two cables provide both motor control, and data connectivity

Rapid WWAN Provisioning

BATS uses an industry-first wireless search algorithm that scans the horizon for a compatible signal. Once targeting has occurred, the system scans the wireless lobes to locate the center point, providing quick network links at the highest throughput possible.

Dynamic System Tracking & Stabilization

With GPS Lobe Optimization, the system routinely checks connection health to detect and immediately counteract any drops or weaknesses in the wireless signal caused by interference, environmental changes, or sudden platform movement. As platform movement occurs, as seen during a mobile deployment, the system will recalibrate and adjust its position in real-time to compensate for directional changes of the base platform in both axis, azimuth and elevation.

Enhanced Control Unit

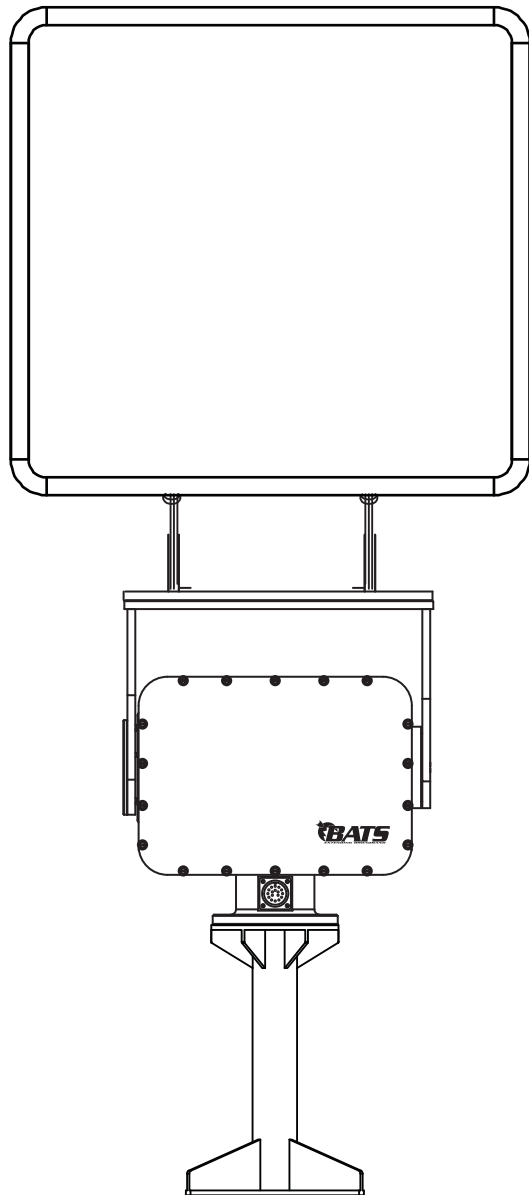
Ruggedized and rack mount configurations
SNMP Monitoring & Dynamic Service Level Validation
WWAN link management with available Link Manager
HTTPS/SSH/Telnet Management



Toll Free +1-888-955-8228
Sales +1-317-500-4507
Support +1-317-500-4506
Email info@batswireless.com

PRODUCT SPECIFICATIONS

BTS - 90



Specifications

PU 90- Open-Air Positioning Unit (90 lb. Payload)

PHYSICAL DIMENSIONS	15.41 inches (H) X 14.70 inches (W) X 11.51 inches (D)
WEIGHT	75 lbs
ENVIRONMENTAL	Standardized to IP-67
OPERATING TEMPERATURE*	-15° or -30°C (w/heater) to 55°C
PAN/TILT-AXIS RANGE	±217.5° or 360° (slip ring) / 180° (±90°)
PAN/TILT-AXIS SPEED	0.005°- 25°/sec (PAN) 0.005° - 10°/sec (TILT)
LOAD CAPACITY	90 lb-ft (max)

RMCU 90 - Rack Mount Control Unit - PU 90

PHYSICAL DIMENSIONS	3.5 inches (H) X 19 inches (W) X 13 inches (D)
WEIGHT	16 lbs
OPERATING TEMPERATURE*	0°C - 55° C (-40°C Option)
OPERATING VOLTAGE	AC: 90 - 265 VAC; 47-63 Hz DC: 10 - 36 VDC w/ Auto
NETWORK PORTS	ETHERNET (10/100/1000 Mbps)

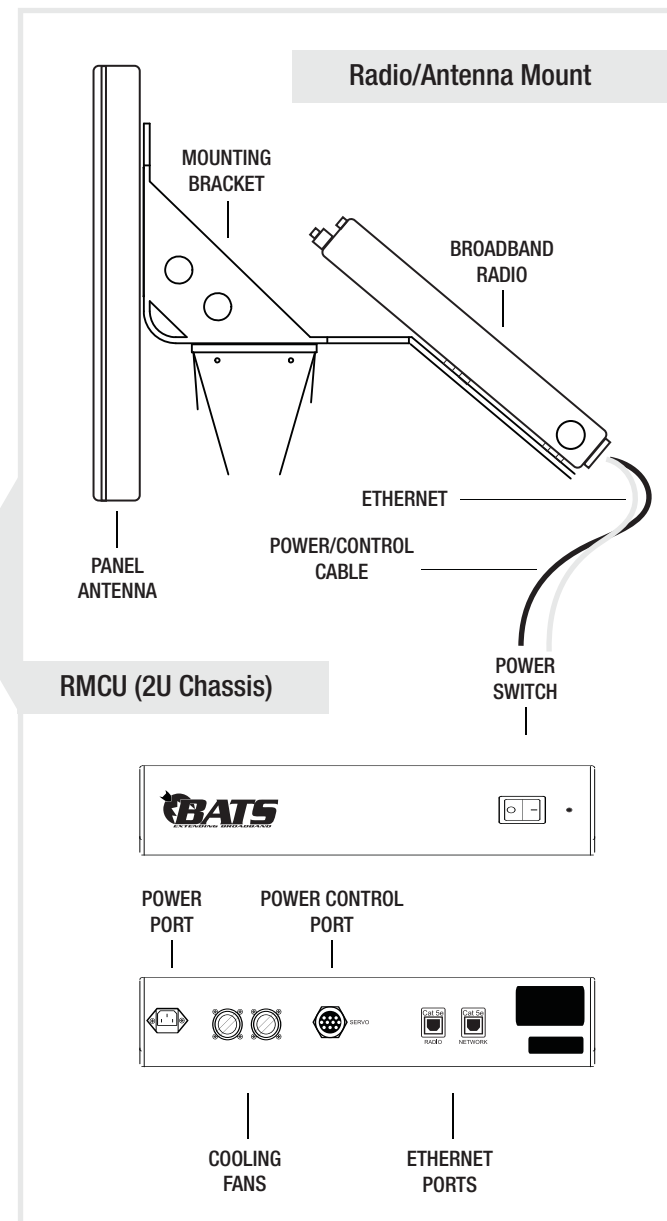
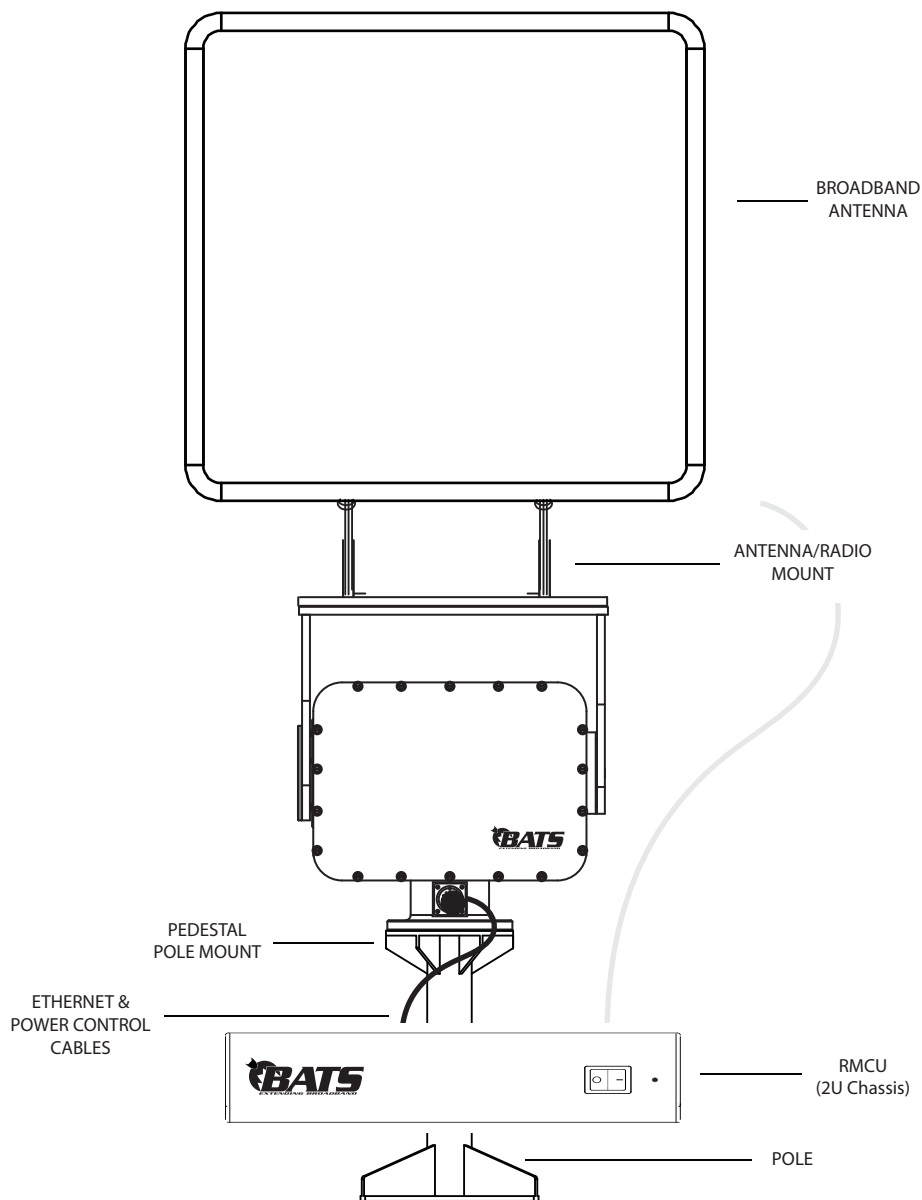
Components & Accessories

GPS Targeting Stabilizer	GPS-Based Signal Targeting & Stabilization
Link Manager	Control Appliance for Active Link Failover
Positioning Unit Cabling	PU Power Cables, Available up to 330 ft.
Mil-Spec Ethernet Cabling	Insulated Cat 5e Cabling, Available up to 330 ft.
Mounting Brackets / Hardware	Universal Pole Mount Kits, Radio Mount Kits

**Additional Components Required*

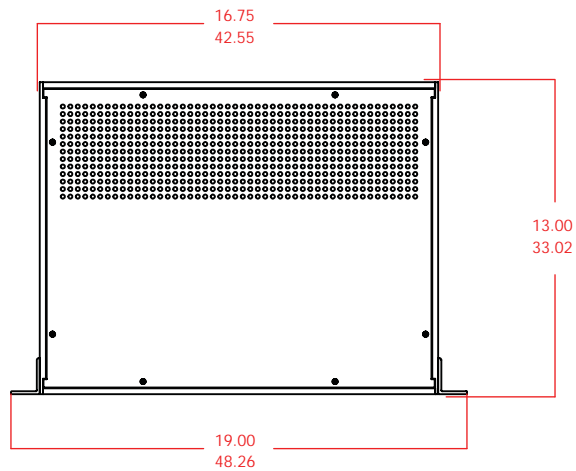
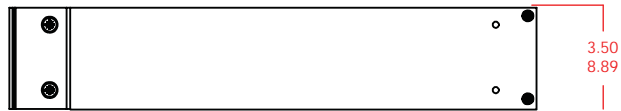
SYSTEM LAYOUT

BTS - 90



PRODUCT OVERVIEW

Rackmount Control Unit (2U)



CONTROL UNITS

Hardened Control Unit

