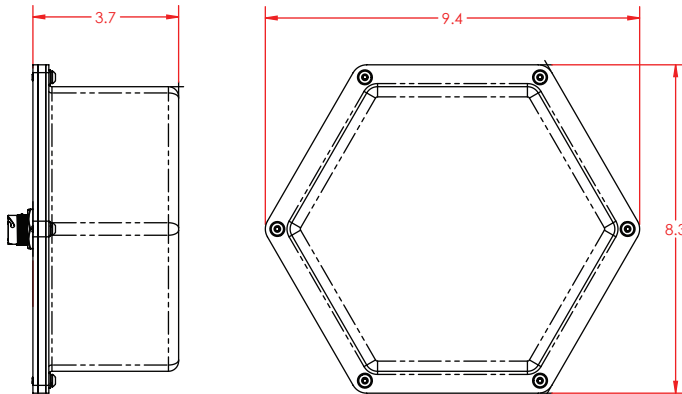
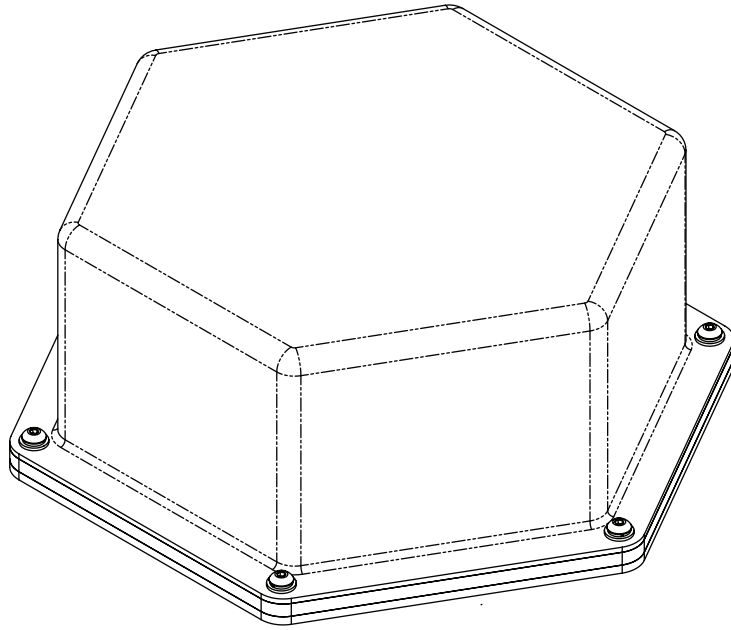


# PRODUCT SPECIFICATIONS

# FAST ATG



## Specifications

### FAST ATG – Air-to-Ground Tracking Antenna

FREQUENCY	4.4 - 5.0 GHz (C-Band)
GAIN	7 dBi @ 4.7GHz
POLARIZATION	Dual (Vertical & Horizontal Polarization Available)
ANTENNA IMPEDANCE	50 Ohms
ANTENNA VSWR	2.0:1 Typical (2.2:1 Max)
AZIMUTH BEAMWIDTH	60°
AZIMUTH COVERAGE	360°
ELEVATION BEAMWIDTH	45°
ELEVATION COVERAGE	-25° to 25°
IMPEDANCE	50 Ohms
VSWR	2.0:1 Typical (2.2:1 Max)
RF POWER INPUT	+36 dBm (max)

### Physical Specifications

DIMENSIONS	9.4" x 8.3" x 3.7"
WEIGHT	3.0 lbs (Antenna Only)
ENVIRONMENTAL	IP66 / Operating: -40 to 60°C / Storage: -40 to 70°C
POWER	18-36VDC PoE
CONNECTORS	RF: 2x SMA / INTERFACE: 1x RJ-45
MOUNTING	Multiple Mounting Options Available

