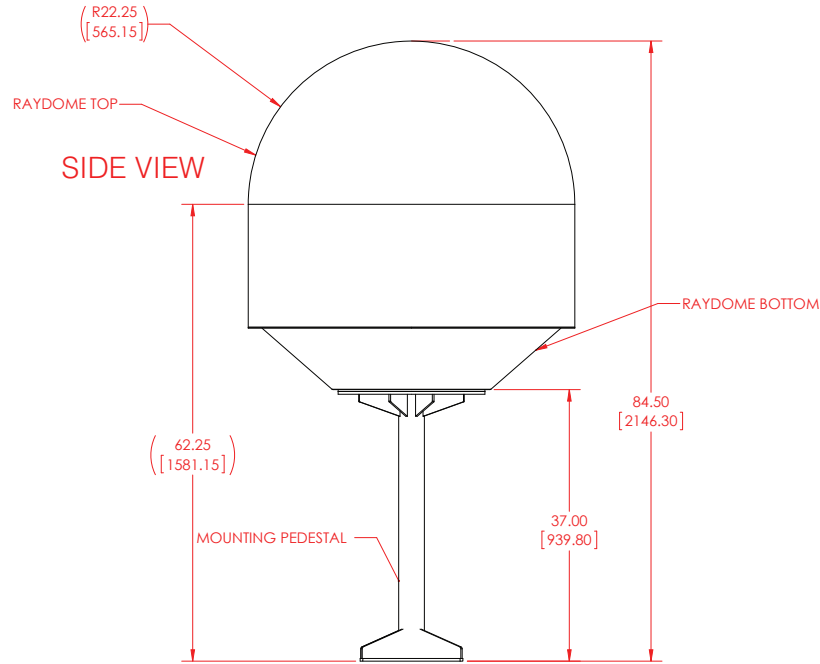
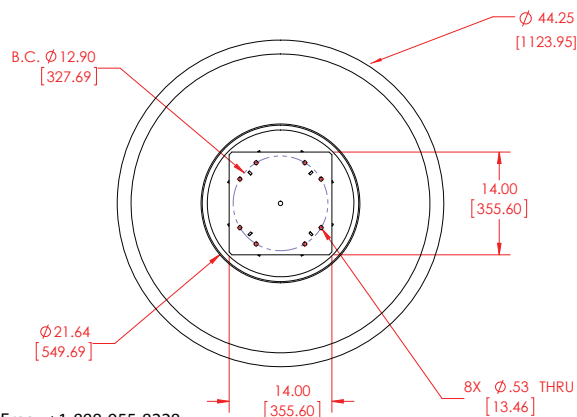


# PRODUCT SPECIFICATIONS

# DVM XIM-4G



BOTTOM VIEW WITH PEDESTAL MOUNTING PLATE



Toll Free +1-888-955-8228  
 Sales +1-317-500-4507  
 Support +1-317-500-4506  
 Email info@batswireless.com

## Specifications

DVM XIM-4G LTE Ready Broadband Tracking System - (Integrated 2FT Antenna)	
PHYSICAL DIMENSIONS	44.5" x 44.9"
WEIGHT	75 lbs. (est.)
ENVIRONMENTAL	Standardized to IP-66
OPERATING TEMP*	Standard: -40°C - 65°C Optional: -50°C - 65°C
OPERATING POWER	Peak: 100 Watts Standby: 10 Watts
PAN/TILT-AXIS RANGE*	360° Continuous (PAN) ±20° (TILT)
PAN/TILT-AXIS SPEED	Up to 10°/sec (PAN) Up to 5°/sec (TILT)
MOUNTING*	3" - 4" Pole Mount (Required)
OPERATING VOLTAGE	PoE: 48 VDC DC: 20 - 50 VDC w/Auto (48V Nominal)
NETWORK PORTS	(10/100 Mbps)
Broadband LTE Antenna	
PHYSICAL DIMENSIONS	21.8" x 21.8 x 11.0
WEIGHT	15 lbs.
FREQUENCY RANGE	698 - 2650 MHz
GAIN	16 dBi
VERTICAL BEAMWIDTH	30°
HORIZONTAL BEAMWIDTH	30°
VSWR	<1.5:1
POLARIZATION	Vertical, Horizontal / Dual Slant
Components & Accessories	
GPS TARGETING STABILIZER	GPS-Based Signal Targeting & Stabilization
FLEET CONTROLLER	Control Appliance for Multiple Control Units
POWER CABLING	DC Power Cables, Available up to 330 ft.
MIL-SPEC CABLING	Insulated Cat 5e Cabling, Available up to 330 ft.
MOUNTING HARDWARE	Universal Pole Mount Kits, Radio Mount Kits