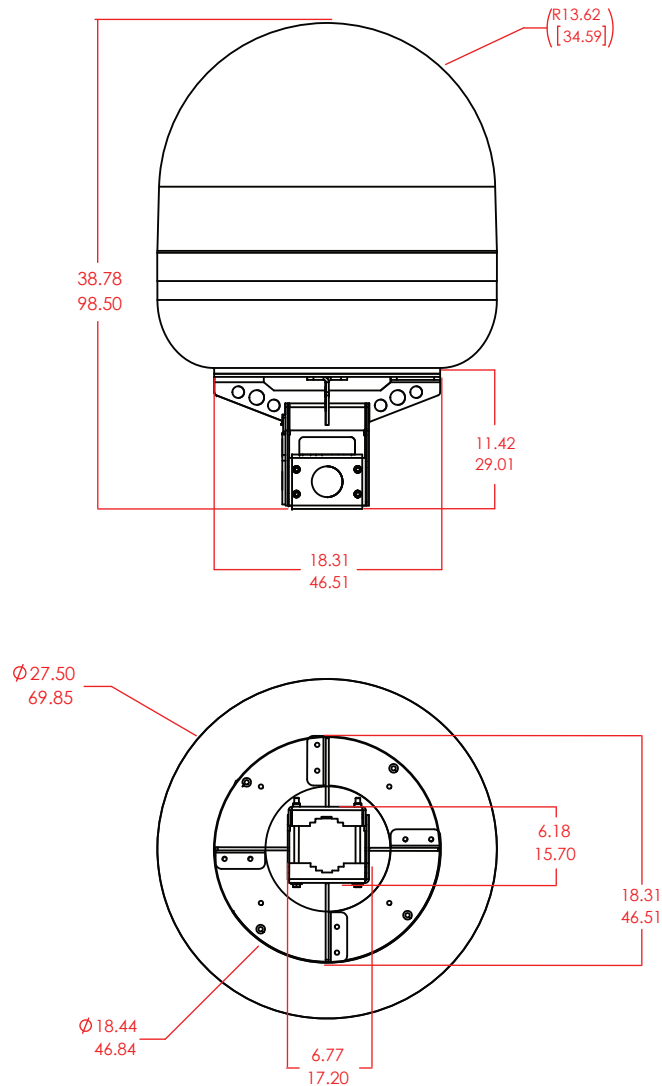


PRODUCT SPECIFICATIONS

DVM IM-4G



Specifications

DVM IM 4G - LTE Ready Broadband Tracking System - (Integrated LTE Antenna)

PHYSICAL DIMENSIONS	Standard: 27.5" x 29.7"
WEIGHT	50 lbs. (est.)
ENVIRONMENTAL	Standardized to IP-66
OPERATING TEMP*	Standard: -40°C - 65°C Optional: -50°C - 65°C
OPERATING POWER	Peak: 100 Watts Standby: 10 Watts
PAN/TILT-AXIS RANGE*	360° Continuous (PAN) ±20° (TILT)
PAN/TILT-AXIS SPEED	Up to 10°/sec (PAN) Up to 5°/sec (TILT)
MOUNTING*	3" - 4" Pole Mount (Required)
OPERATING VOLTAGE	PoE: 24 VDC DC: 20 - 36 VDC
NETWORK PORTS	(10/100 Mbps)

Broadband LTE Antenna

PHYSICAL DIMENSIONS	18.5" x 11.8" x 1.8" (469.9mm x 299.7mm x 45.7mm)
WEIGHT	2.2 lbs (1.0Kg)
FREQUENCY RANGE	700-2690 MHz
GAIN	16 dBi
VERTICAL BEAMWIDTH	32 °
HORIZONTAL BEAMWIDTH	34 °
VSWR	<1.2:1
POLARIZATION	Vertical, Horizontal

Components & Accessories

GPS TARGETING STABILIZER	GPS-Based Signal Targeting & Stabilization
FLEET CONTROLLER	Control Appliance for Multiple Control Units
POWER CABLING	DC Power Cables, Available up to 330 ft.
MIL-SPEC CABLING	Insulated Cat 5e Cabling, Available up to 330 ft.
MOUNTING HARDWARE	Universal Pole Mount Kits, Radio Mount Kits



Toll Free +1-888-955-8228
Sales +1-317-500-4507
Support +1-317-500-4506
Email info@batswireless.com